

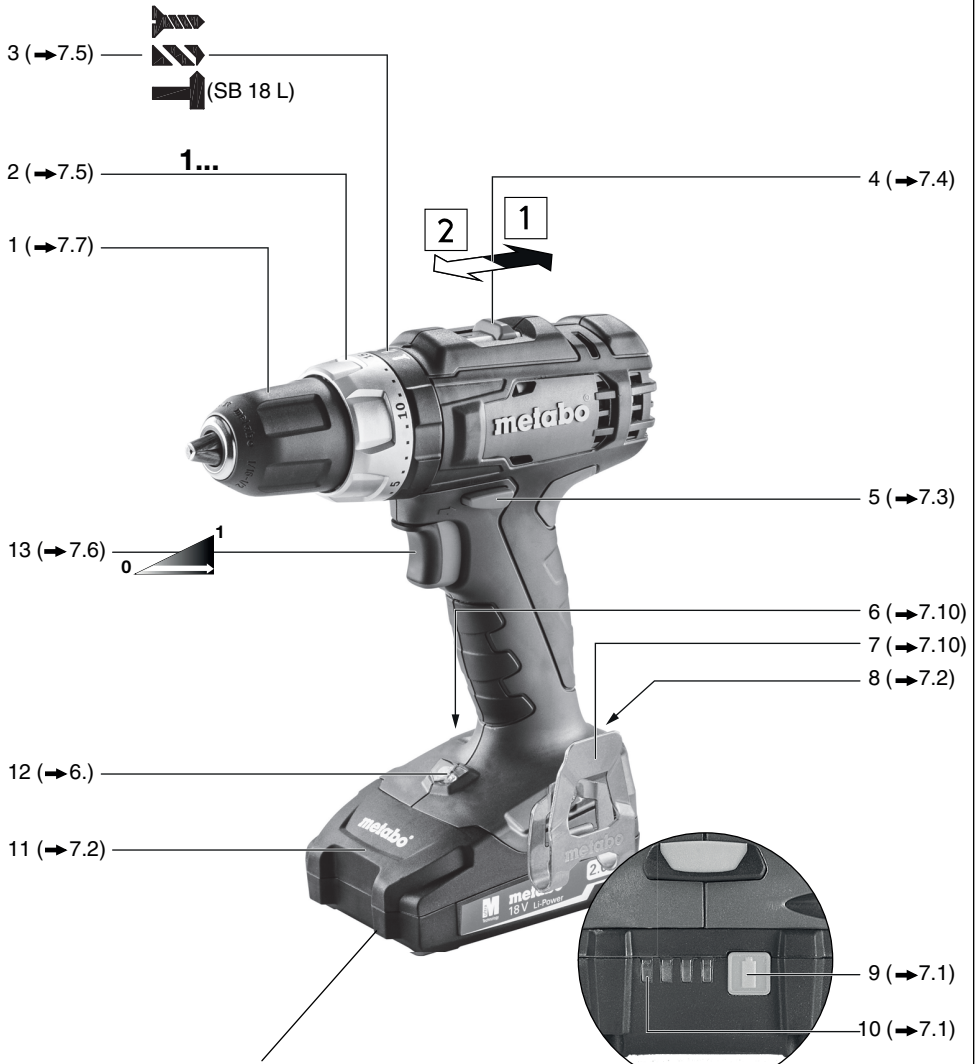
BS 18 L
BS 18 L Quick
SB 18 L



en Operating Instructions 7
fr Mode d'emploi 12

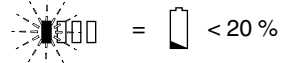
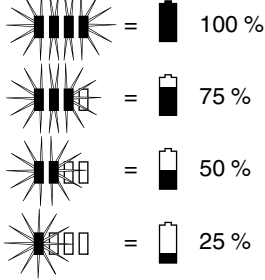
es Instrucciones de manejo 17

A



18 V	Li-Power	2,0 Ah	6.25596
18 V	LiHD	3,5 Ah	6.25346
18 V	Li-Power	4,0 Ah	6.25591
18 V	Li-Power	5,2 Ah	6.25592
18 V	LiHD	5,5 Ah	6.25342
18 V	LiHD	7,0 Ah	6.25345
			etc.



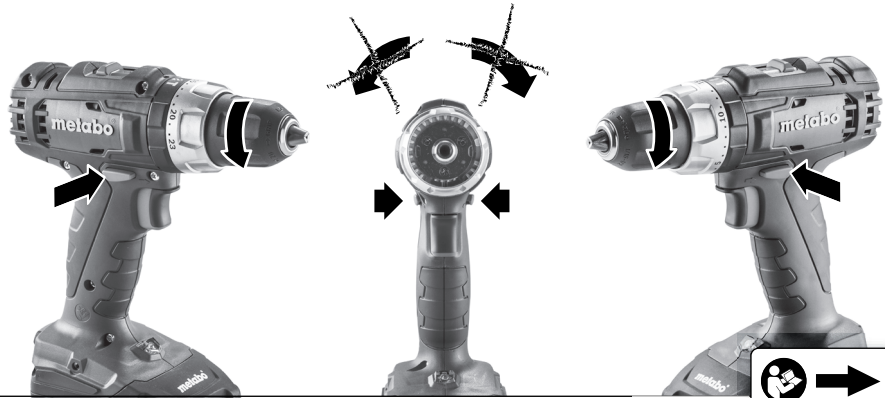
B

ASC 30-36
ASC ultra
SC 60 Plus
ASC 30 etc.

→ 7.1

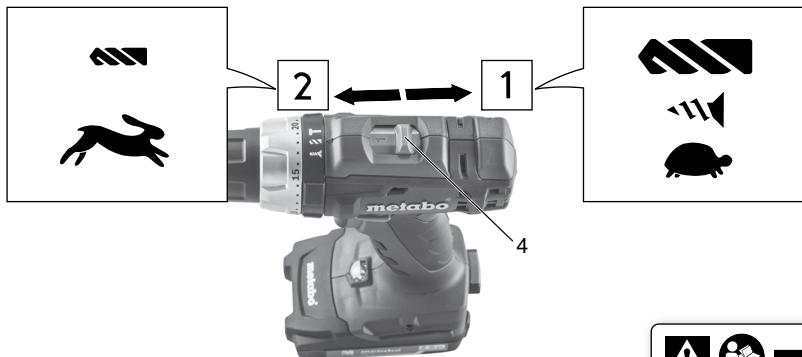
C

→ 7.2

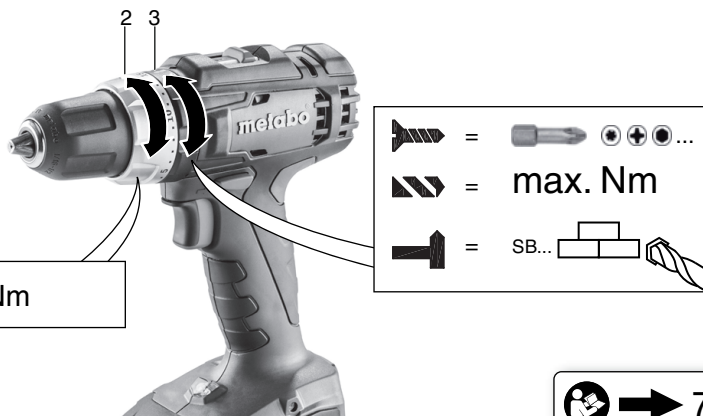
D

→ 7.3

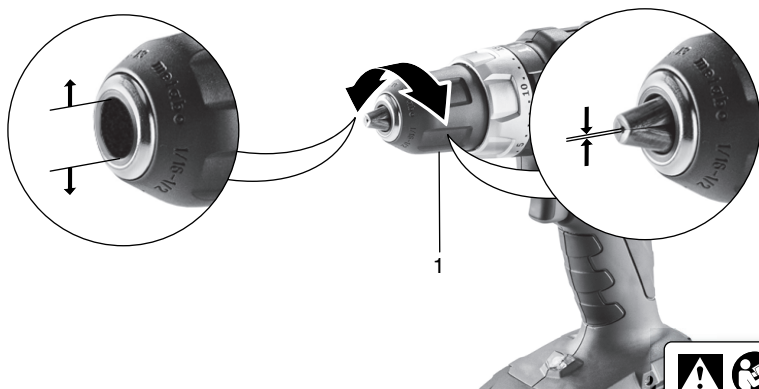
E

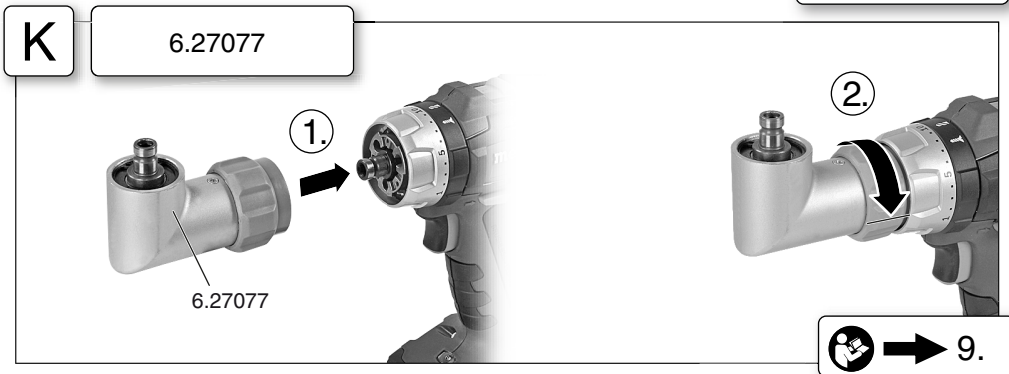
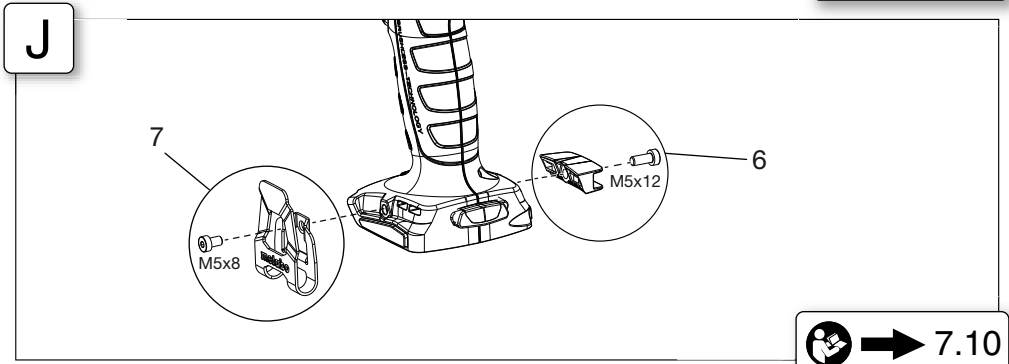
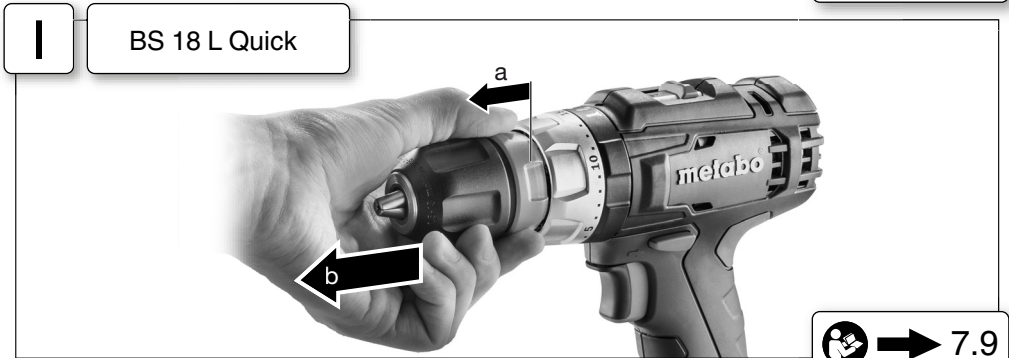
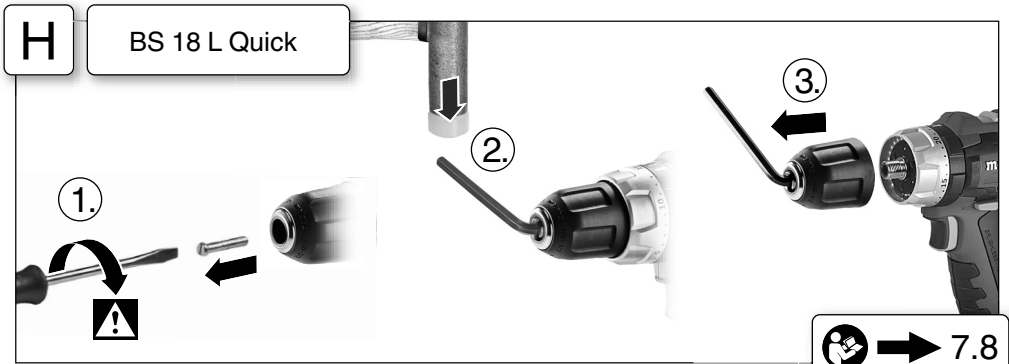


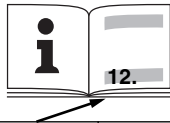
F



G







			BS 18 L	BS 18 L Quick	SB 18 L
	Serial Number		02321..	02320..	02317..
U	V		18	18	18
n₀	/min, rpm	1	0 - 450	0 - 450	0 - 450
		2	0 - 1800	0 - 1800	0 - 1800
M₁	Nm (in-lbs)		25 (221)	25 (221)	25 (221)
M₃	Nm (in-lbs)		50 (442)	50 (442)	50 (442)
M₄	Nm (in-lbs)	1	1,5 - 6 (13,3 - 53,1)	1,5 - 6 (13,3 - 53,1)	1,5 - 6 (13,3 - 53,1)
D_{1 max}	mm (in)		10 (³ / ₈)	10 (³ / ₈)	10 (³ / ₈)
D_{2 max}	mm (in)		20 (²⁵ / ₃₂)	20 (²⁵ / ₃₂)	20 (²⁵ / ₃₂)
D_{3 max}	mm (in)	2	-	-	10 (³ / ₈)
s	/min, bpm		-	-	27000
m	kg (lbs)		1,6 (3.5)	1,6 (3.5)	1,6 (3.5)
G	UNF(in)		1/2" - 20 UNF	-	1/2" - 20 UNF
D_{max}	mm (in)		13 (¹ / ₂)	13 (¹ / ₂)	13 (¹ / ₂)
a_{h, ID}/K_{h, ID}	m/s²		-	-	21,5/ 1,5
a_{h, D}/K_{h, D}	m/s²		2,8 / 1,5	2,8 / 1,5	2,8 / 1,5
a_{h, S}/K_{h, S}	m/s²		< 2,5 / 1,5	< 2,5 / 1,5	< 2,5 / 1,5
L_{pA}/K_{pA}	dB(A)		77 / 3	77 / 3	89 / 3
L_{WA}/K_{WA}	dB(A)		88 / 3	88 / 3	100 / 3



Operating Instructions

1. Specified Use

The cordless drills/screwdrivers and impact drills are suitable for drilling in metal, wood, plastic and similar materials, and also for screwdriving and thread tapping.

The cordless impact drills are also suitable for impact drilling in masonry, brickwork and stone.

The user bears sole responsibility for any damage caused by inappropriate use.

Generally accepted accident prevention regulations and the enclosed safety information must be observed.

2. General Safety Instructions



For your own protection and for the protection of your electrical tool, pay attention to all parts of the text that are marked with this symbol!



WARNING – Reading the operating instructions will reduce the risk of injury.

Pass on your electrical tool only together with these documents.

General Power Tool Safety Warnings



WARNING – Read all safety warnings and instructions. Failure to follow the warnings and instructions may result in electric shock, fire and/or serious injury.

Save all warnings and instructions for future reference! The term "power tool" in the warnings refers to your mains-operated (corded) power tool or battery-operated (cordless) power tool.

2.1 Work area safety

- Keep work area clean and well lit.** Cluttered or dark areas invite accidents.
- Do not operate power tools in explosive atmospheres, such as in the presence of flammable liquids, gases or dust.** Power tools create sparks which may ignite the dust or fumes.
- Keep children and bystanders away while operating a power tool.** Distractions can cause you to lose control.

2.2 Electrical safety

- Power tool plugs must match the outlet. Never modify the plug in any way. Do not use any adapter plugs with earthed (grounded) power tools.** Unmodified plugs and matching outlets will reduce risk of electric shock.
- Avoid body contact with earthed or grounded surfaces, such as pipes, radiators, ranges and refrigerators.** There is an increased risk of electric shock if your body is earthed or grounded.

c) **Do not expose power tools to rain or wet conditions.** Water entering a power tool will increase the risk of electric shock.

d) **Do not abuse the cord. Never use the cord for carrying, pulling or unplugging the power tool. Keep cord away from heat, oil, sharp edges or moving parts.** Damaged or entangled cords increase the risk of electric shock.

e) **When operating a power tool outdoors, use an extension cord suitable for outdoor use.** Use of a cord suitable for outdoor use reduces the risk of electric shock.

f) **If operating a power tool in a damp location is unavoidable, use a residual current device (RCD) protected supply.** Use of an RCD reduces the risk of electric shock.

2.3 Personal safety

a) **Stay alert, watch what you are doing and use common sense when operating a power tool. Do not use a power tool while you are tired or under the influence of drugs, alcohol or medication.** A moment of inattention while operating power tools may result in serious personal injury.

b) **Use personal protective equipment. Always wear eye protection.** Protective equipment such as dust mask, non-skid safety shoes, hard hat, or hearing protection used for appropriate conditions will reduce personal injuries.

c) **Prevent unintentional starting. Ensure the switch is in the off-position before connecting to power source and/or battery pack, picking up or carrying the tool.** Carrying power tools with your finger on the switch or energising power tools that have the switch on invites accidents.

d) **Remove any adjusting key or wrench before turning the power tool on.** A wrench or a key left attached to a rotating part of the power tool may result in personal injury.

e) **Do not overreach. Keep proper footing and balance at all times.** This enables better control of the power tool in unexpected situations.

f) **Dress properly. Do not wear loose clothing or jewellery. Keep your hair, clothing and gloves away from moving parts.** Loose clothes, jewellery or long hair can be caught in moving parts.

g) **If devices are provided for the connection of dust extraction and collection facilities, ensure these are connected and properly used.** Use of dust collection can reduce dust-related hazards.

2.4 Power tool use and care

a) **Do not force the power tool. Use the correct power tool for your application.** The correct power tool will do the job better and safer at the rate for which it was designed.

b) **Do not use the power tool if the switch does not turn it on and off.** Any power tool that cannot

be controlled with the switch is dangerous and must be repaired.

c) **Disconnect the plug from the power source and/or the battery pack from the power tool before making any adjustments, changing accessories, or storing power tools.** Such preventive safety measures reduce the risk of starting the power tool accidentally.

d) **Store idle power tools out of the reach of children and do not allow persons unfamiliar with the power tool or these instructions to operate the power tool.** Power tools are dangerous in the hands of untrained users.

e) **Maintain power tools. Check for misalignment or binding of moving parts, breakage of parts and any other condition that may affect the power tool's operation. If damaged, have the power tool repaired before use.** Many accidents are caused by poorly maintained power tools.

f) **Keep cutting tools sharp and clean.** Properly maintained cutting tools with sharp cutting edges are less likely to bind and are easier to control.

g) **Use the power tool, accessories and tool bits etc. in accordance with these instructions, taking into account the working conditions and the work to be performed.** Use of the power tool for operations different from those intended could result in a hazardous situation.

2.5 Battery tool use and care

a) **Recharge only with the charger specified by the manufacturer.** A charger that is suitable for one type of battery pack may create a risk of fire when used with another battery pack.

b) **Use power tools only with specifically designated battery packs.** Use of any other battery packs may create a risk of injury and fire.

c) **When battery pack is not in use, keep it away from other metal objects, like paper clips, coins, keys, nails, screws or other small metal objects, that can make a connection from one terminal to another.** Shorting the battery terminals together may cause burns or a fire.

d) **Under abusive conditions, liquid may be ejected from the battery; avoid contact. If contact accidentally occurs, flush with water. If liquid contacts eyes, additionally seek medical help.** Liquid ejected from the battery may cause irritation or burns.

2.6 Service

a) **Have your power tool serviced by a qualified repair person using only identical replacement parts.** This ensures that the safety of the power tool is maintained.

3. Special Safety Instructions

Wear ear protectors with impact drills (machines with the designation SB). Exposure to noise can cause hearing loss.

Hold power tool by insulated gripping surfaces, when performing an operation where the cutting accessory may contact hidden wiring. A cutting accessory contacting a "live" wire may make exposed metal parts of the power tool "live" and could give the operator an electric shock.

Ensure that the spot where you wish to work is free of **power cables, gas lines or water pipes** (e.g. using a metal detector).



Protect battery packs from water and moisture!



Do not expose battery packs to fire!



Do not use faulty or deformed battery packs!

Do not open battery packs!

Do not touch or short circuit battery pack contacts!



A slightly acidic, flammable fluid may leak from defective Li-ion battery packs!



If battery fluid leaks out and comes into contact with your skin, rinse immediately with plenty of water. If battery fluid leaks out and comes into contact with your eyes, wash them with clean water and seek medical attention immediately!

Remove the battery pack from the machine before making any adjustments, changing tools, maintaining or cleaning.

Before fitting the battery pack, make sure that the machine is switched off.

Keep hands away from the rotating tool!

Remove chips and similar material only with the machine at a standstill.

Secure the workpiece to prevent slipping or rotation (e.g. by securing with screw clamps).

LED light (12): do not observe the LED radiation directly with optical instruments.

Additional Warnings:

⚠ WARNING Some dust created by power sanding, sawing, grinding, drilling, and other construction activities contains chemicals known to cause cancer, birth defects or other reproductive harm. Some examples of these chemicals are:

- Lead from lead-based paints,
- Crystalline silica from bricks and cement and other masonry products, and
- Arsenic and chromium from chemically treated lumber.

Your risk from these exposures varies, depending on how often you do this type of work. To reduce your exposure to these chemicals: work in a well ventilated area, and work with approved safety equipment, such as those dust masks that are specially designed to filter out microscopic particles.





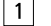
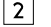



4. Symbols on the tool

V	volts
===	direct current
n_0	rated speed
./min	revolutions per minute
rpm	revolutions per minute

5. Figures

Illustrations are provided at the beginning of the operating instructions.

Symbol explanation:

	Movement direction
	Drill bit
	Slow
	Fast
	First gear
	Second gear
	Screwdriving / torque limitation
	Drilling / max. torque
	Impact drilling
Nm	Torque

6. Overview

→ Fig. A

- Keyless chuck
- Adjusting sleeve (Torque limitation)
- Adjusting sleeve
 - Screwdriving / torque limitation
 - Drilling / max. torque
 - Impact drilling
- Switch (1st / 2nd gear)
- Rotation selector switch (rotation setting, transport lock) - both sides of the machine
- Bit depot *
- Belt hook *
- Battery pack release button
- Capacity indicator button
- Capacity and signal indicator
- Battery pack
- LED light
- Trigger switch

*equipment-specific

7. Use

7.1 Battery pack, capacity and signal indicator → Fig. B

Charge the battery pack before use.


Recharge the battery pack if performance diminishes.

The ideal storage temperature is between 10°C and 30°C.



7.2 Removing and inserting the battery pack → Fig. C

7.3 Setting the direction of rotation, engaging the transporting safety device (switch-on lock) → Fig. D


7.4 Selecting the gear → Fig. E

 Do not set the switch (4) unless the motor has stopped completely!

7.5 Setting the torque limitation, screwdriving, drilling and impact drilling → Fig. F

-  = Set **screwdriving** by turning the sleeve (3) AND set the **torque** (with torque limitation) by turning the sleeve (2) - intermediate settings are also possible.
-  = Set **drilling** by turning the sleeve (3) (max. torque, without torque limitation) To avoid overloading the motor, do not jam the spindle.

Machines with the designation SB...:

 = Set **impact drilling** by turning the sleeve (3) (max. torque, without torque limitation) To avoid overloading the motor, do not jam the spindle.

7.6 Switching On/Off, setting the speed → Fig. A

Switching on, speed: press the trigger switch (13). Press in the trigger switch to increase the rotational speed.

Switching off: release the trigger switch (13). Note: the noise that the machine makes when it switches off is due to the design (quick stop) and has no influence on the function or the service life of the machine.

7.7 Keyless chuck → Fig. G

Opening the drill chuck:

Turn the drill chuck sleeve (1) clockwise.

Clamping the tool:

Open the drill chuck and insert the tool as far as possible. Turn the drill chuck sleeve (1) in clockwise direction until the tool is clamped securely. With a soft tool shank, retightening may be required after a short drilling period.

Cleaning: from time to time, hold the machine vertically with the chuck facing downwards and turn the sleeve fully in the direction "GRIP, ZU" and then turn fully in the direction "AUF, RELEASE". The dust collected falls from the keyless chuck.

7.8 Unscrewing the chuck → Fig. H

Employ the same procedure when attaching the chuck, except in reverse order.

7.9 Chuck with quick change system (with BS 18 L Quick) ➔ Fig. I

To remove: push the interlock ring forward (a), advance and pull off the chuck forwards (b).

To fit: push the interlock ring forward and move the chuck as far as the limit stop on the drill spindle.


7.10 Fitting the belt hook (equipment-specific) / bit depot (equipment-specific) ➔ Fig. J


Fit the belt hook (7) as shown.

Fit the bit depot (6) as shown.

8. Troubleshooting

8.1 The machine's multifunctional monitoring system

 If the machine switches off automatically, the machine electronics have activated automatic protection mode. A warning signal sounds (continuous beeping). The beeping stops after a maximum of 30 seconds or when the trigger switch (13) is released.

 In spite of this protective function, overloading is still possible with certain applications and can result in damage to the machine.

Causes and remedies:

1. **Battery pack almost empty** ➔ Fig. A, B (The electronics protect the battery pack against damage through total discharge).

If one LED (10) is flashing, the battery pack is almost flat. If necessary, press the button (9) and check the LEDs (10) to see the charge level. If the battery pack is almost flat, it must be recharged.

2. Long continuous overloading of the machine will activate the **temperature cut-out**.

Leave the machine or battery pack to cool.

Note: if the battery pack feels very warm, the pack will cool more quickly in an "AIR COOLED" charger.

Note: the machine will cool more quickly if you operate it at idling speed.

3. Metabo **safety shutdown**: the machine has SHUT DOWN by itself. If the speed suddenly drops (for example, if the machine suddenly seizes or kickback occurs), the machine switches off. Switch off the machine at the trigger switch (13). Switch it on again and continue to work as normal. Try to prevent the machine from seizing.

9. Accessories

Use only genuine Metabo accessories.

Use only accessories that fulfil the requirements and specifications listed in these operating instructions.

Fitting the angle drilling attachment ➔ Fig. K.

For a complete range of accessories, see www.metabo.com or the catalogue.

10. Repairs

 Repairs to electrical tools must ONLY be carried out by qualified electricians!

Contact your local Metabo representative if you have Metabo power tools requiring repairs. See www.metabo.com for addresses.

You can download a list of spare parts from www.metabo.com.

11. Environmental Protection

Observe national regulations on environmentally compatible disposal and on the recycling of disused machines, packaging and accessories.

Battery packs may not be disposed of with regular waste. Return faulty or used battery packs to your Metabo dealer!

Do not allow battery packs to come into contact with water!

Before disposal, discharge the battery pack in the power tool. Prevent the contacts from short-circuiting (e. g. by protecting them with adhesive tape).

12. Technical Data

➔ Fig. L. We reserve the right to make technical improvements.

U = Voltage of battery pack

n_0 = No-load speed

Tightening torque for screwing:

M₁ = Soft screwing application (wood)

M₃ = Hard screwing applications (metal)

M₄ = Adjustable torque

Max. drill diameter:

D_{1 max} = in steel

D_{2 max} = in softwood

D_{3 max} = in masonry

s = Max. impact rate

m = Weight (with the smallest battery pack)

G = Spindle thread

D_{max} = Chuck clamping range

The technical specifications quoted are subject to tolerances (in compliance with the relevant valid standards).

Emission values

These values make it possible to assess the emissions from the power tool and to compare different power tools. The actual load may be higher or lower depending on the operating conditions, the condition of the power tool or the accessories. Please allow for breaks and periods when the load is lower for assessment purposes. Arrange protective measures for the user, such as organisational measures based on the adjusted estimates.

Vibration total value (vector sum of three directions) determined in accordance with EN 60745:

$a_{h, ID}$ = Vibration emission value (impact drilling in concrete)

- $a_{h,D}$ = Vibration emission value
(Drilling in metal)
- $a_{h,S}$ = Vibration emission value (screwing
without impact)
- $K_{h, \dots}$ = Uncertainty (vibration)

Typical A-effective perceived sound levels:

L_{pA} = Sound-pressure level

L_{WA} = Acoustic power level

K_{pA}, K_{WA} = Uncertainty (noise level)

During operation the noise level can exceed
80 dB(A).



Wear ear protectors!

Mode d'emploi

1. Utilisation conforme

Les perceuses-visseuses et perceuses à percussion sans fil conviennent pour les travaux de perçage sans percussion sur métaux, bois, plastique et matériaux assimilés, ainsi que pour le vissage et le taraudage.

Les perceuses à percussion sans fil sont également conçues pour le perçage à percussion dans la maçonnerie, les briques et les pierres.

L'utilisateur est entièrement responsable de tous les dommages résultant d'une utilisation non conforme.

Il est impératif de respecter les consignes générales de prévention contre les accidents ainsi que les consignes de sécurité ci-jointes.

2. Consignes générales de sécurité



Pour des raisons de sécurité et afin de protéger l'outil électrique, respecter les passages de texte marqués de ce symbole !



AVERTISSEMENT – Lire la notice d'utilisation afin d'éviter tout risque de blessure.

Remettre l'outil électrique uniquement accompagné de ces documents.

Avertissements de sécurité généraux pour l'outil



AVERTISSEMENT – Lire tous les avertissements de sécurité et toutes les instructions. *Ne pas suivre les avertissements et instructions peut donner lieu à un choc électrique, un incendie et/ou une blessure sérieuse.*

Conserver tous les avertissements et toutes les instructions pour pouvoir s'y reporter ultérieurement! *Le terme «outil» dans les avertissements fait référence à votre outil électrique alimenté par le secteur (avec cordon d'alimentation) ou votre outil fonctionnant sur batterie (sans cordon d'alimentation).*

2.1 Sécurité de la zone de travail

a) **Conserver la zone de travail propre et bien éclairée.** *Les zones en désordre ou sombres sont propices aux accidents.*

b) **Ne pas faire fonctionner les outils électriques en atmosphère explosive, par exemple en présence de liquides inflammables, de gaz ou de poussières.** *Les outils électriques produisent des étincelles qui peuvent enflammer les poussières ou les fumées.*

c) **Maintenir les enfants et les personnes présentes à l'écart pendant l'utilisation de l'outil.** *Les distractions peuvent vous faire perdre le contrôle de l'outil.*

2.2 Sécurité électrique

a) **Il faut que les fiches de l'outil électrique soient adaptées au socle. Ne jamais modifier la fiche de quelque façon que ce soit. Ne pas utiliser d'adaptateurs avec des outils à branchement de terre.** *Des fiches non modifiées et des socles adaptés réduiront le risque de choc électrique.*

b) **Eviter tout contact du corps avec des surfaces reliées à la terre telles que les tuyaux, les radiateurs, les cuisinières et les réfrigérateurs.** *Il existe un risque accru de choc électrique si votre corps est relié à la terre.*

c) **Ne pas exposer les outils à la pluie ou à des conditions humides.** *La pénétration d'eau à l'intérieur d'un outil augmentera le risque de choc électrique.*

d) **Ne pas maltraiter le cordon. Ne jamais utiliser le cordon pour porter, tirer ou débrancher l'outil. Maintenir le cordon à l'écart de la chaleur, du lubrifiant, des arêtes ou des parties en mouvement.** *Des cordons endommagés ou emmêlés augmentent le risque de choc électrique.*

e) **Lorsqu'on utilise un outil à l'extérieur, utiliser un prolongateur adapté à l'utilisation extérieure.** *L'utilisation d'un cordon adapté à l'utilisation extérieure réduit le risque de choc électrique.*

f) **Si l'usage d'un outil dans un emplacement humide est inévitable, utiliser une alimentation protégée par un dispositif à courant différentiel résiduel (RCD).** *L'usage d'un RCD réduit le risque de choc électrique.*

2.3 Sécurité des personnes

a) **Rester vigilant, regarder ce que vous êtes en train de faire et faire preuve de bon sens dans votre utilisation de l'outil. Ne pas utiliser un outil lorsque vous êtes fatigué ou sous l'emprise de drogues, d'alcool ou de médicaments.** *Un moment d'inattention en cours d'utilisation d'un outil peut entraîner des blessures graves des personnes.*

b) **Utiliser un équipement de sécurité. Toujours porter une protection pour les yeux.** *Les équipements de sécurité tels que les masques contre les poussières, les chaussures de sécurité antidérapantes, les casques ou les protections acoustiques utilisés pour les conditions appropriées réduiront les blessures de personnes.*

c) **Eviter tout démarrage intempestif. S'assurer que l'interrupteur est en position arrêté avant de brancher l'outil au secteur et/ou au bloc de batteries, de le ramasser ou de le porter.** *Porter les outils en ayant le doigt sur l'interrupteur ou brancher des outils dont l'interrupteur est en position marche est source d'accidents.*

d) **Retirer toute clé de réglage avant de mettre l'outil en marche.** *Une clé laissée fixée sur une*

partie tournante de l'outil peut donner lieu à des blessures de personnes.

e) **Ne pas se précipiter. Garder une position et un équilibre adaptés à tout moment.** Cela permet un meilleur contrôle de l'outil dans des situations inattendues.

f) **S'habiller de manière adaptée. Ne pas porter de vêtements amples ou de bijoux. Garder les cheveux, les vêtements et les gants à distance des parties en mouvement.** Des vêtements amples, des bijoux ou les cheveux longs peuvent être pris dans des parties en mouvement.

g) **Si des dispositifs sont fournis pour le raccordement d'équipements pour l'extraction et la récupération des poussières, s'assurer qu'ils sont connectés et correctement utilisés.** Utiliser des collecteurs de poussière peut réduire les risques dus aux poussières.

2.4 Utilisation et entretien de l'outil

a) **Ne pas forcer l'outil. Utiliser l'outil adapté à votre application.** L'outil adapté réalisera mieux le travail et de manière plus sûre au régime pour lequel il a été construit.

b) **Ne pas utiliser l'outil si l'interrupteur ne permet pas de passer de l'état de marche à arrêt et vice versa.** Tout outil qui ne peut pas être commandé par l'interrupteur est dangereux et il faut le réparer.

c) **Débrancher la fiche de la source d'alimentation en courant et/ou le bloc de batteries de l'outil avant tout réglage, changement d'accessoires ou avant de ranger l'outil.** De telles mesures de sécurité préventives réduisent le risque de démarrage accidentel de l'outil.

d) **Conserver les outils à l'arrêt hors de la portée des enfants et ne pas permettre à des personnes ne connaissant pas l'outil ou les présentes instructions de le faire fonctionner.** Les outils sont dangereux entre les mains d'utilisateurs novices.

e) **Observer la maintenance de l'outil. Vérifier qu'il n'y a pas de mauvais alignement ou de blocage des parties mobiles, des pièces cassées ou toute autre condition pouvant affecter le fonctionnement de l'outil. En cas de dommages, faire réparer l'outil avant de l'utiliser.** De nombreux accidents sont dus à des outils mal entretenus.

f) **Garder affûtés et propres les outils permettant de couper.** Des outils destinés à couper correctement entretenus avec des pièces coupantes tranchantes sont moins susceptibles de bloquer et sont plus faciles à contrôler.

g) **Utiliser l'outil, les accessoires et les lames etc., conformément à ces instructions, en tenant compte des conditions de travail et du travail à réaliser.** L'utilisation de l'outil pour des opérations différentes de celles prévues pourrait donner lieu à des situations dangereuses.

2.5 Utilisation des outils fonctionnant sur batteries et précautions d'emploi

a) **Ne recharger qu'avec le chargeur spécifié par le fabricant.** Un chargeur qui est adapté à un type de bloc de batteries peut créer un risque de feu lorsqu'il est utilisé avec un autre type de bloc de batteries.

b) **N'utiliser les outils qu'avec des blocs de batteries spécifiquement désignés.** L'utilisation de tout autre bloc de batteries peut créer un risque de blessure et de feu.

c) **Lorsqu'un bloc de batteries n'est pas utilisé, le maintenir à l'écart de tout autre objet métallique, par exemple trombones, pièces de monnaie, clés, clous, vis ou autres objets de petite taille qui peuvent donner lieu à une connexion d'une borne à une autre.** Le court-circuitage des bornes d'une batterie entre elles peut causer des brûlures ou un feu.

d) **Dans de mauvaises conditions, du liquide peut être éjecté de la batterie; éviter tout contact. En cas de contact accidentel, nettoyer à l'eau. Si le liquide entre en contact avec les yeux, rechercher en plus une aide médicale.** Le liquide éjecté des batteries peut causer des irritations ou des brûlures.

2.6 Maintenance et entretien

a) **Faire entretenir l'outil par un réparateur qualifié utilisant uniquement des pièces de rechange identiques.** Cela assurera que la sécurité de l'outil est maintenue.

3. Consignes de sécurité particulières

Porter une protection auditive lors de l'utilisation d'une perceuse à percussion (pour les machines avec une désignation en SB...). Le bruit est susceptible de provoquer une perte de capacité auditive.

Lors de travaux où l'outil risque de rencontrer des câbles électriques non apparents, tenir la machine par les côtés isolés des poignées. Le contact avec un câble électrique sous tension peut également mettre les parties métalliques de l'outil sous tension et provoquer une électrocution.

Vérifier que l'endroit où vous allez intervenir ne comporte aucune conduite électrique, d'eau ou de gaz (par ex. à l'aide d'un détecteur de métal).



Protéger les batteries de l'humidité !



Ne pas exposer les batteries au feu !



Ne pas utiliser de batteries défectueuses ou déformées !

Ne pas ouvrir les batteries !

Ne jamais toucher ni court-circuiter entre eux les contacts d'une batterie.



Une batterie Li-Ion défectueuse peut occasionner une fuite de liquide légèrement acide et inflammable !



En cas de fuite d'acide de batterie et de contact avec la peau, rincer immédiatement et abondamment à l'eau. En cas de projection dans les yeux, les laver à l'eau propre et consulter immédiatement un médecin !

Retirer la batterie de l'outil avant toute opération de réglage, de changement d'accessoire, de maintenance ou de nettoyage.

S'assurer que la machine est débranchée avant d'installer la batterie.

Ne pas toucher l'outil lorsqu'il est en marche !

Éliminer uniquement les sciures de bois et autres lorsque la machine est à l'arrêt.

Empêcher la pièce de se déplacer ou de tourner (par ex. en la serrant à l'aide de serre-joints à serrage à vis).

Voyant LED (12) : ne pas regarder directement dans le faisceau des LED avec des instruments optiques.

Avertissements additionnels :

⚠ AVERTISSEMENT Certaines poussières produites par le ponçage électrique, le sciage, le meulage, le perçage et d'autres activités de construction contiennent des agents chimiques qui causent des cancers, des anomalies congénitales ou d'autres dangers pour la reproduction. Voici quelques exemples de tels agents chimiques :

- Le plomb des peintures à base de plomb,
- La silice cristalline des briques, du ciment et d'autres produits de maçonnerie, et
- L'arsenic et le chrome du bois d'œuvre traité chimiquement.

Les conséquences de telles expositions varient en fonction de la fréquence à laquelle vous faites ce type de travail. Pour réduire votre exposition à ces agents chimiques, travaillez dans un endroit bien ventilé et utilisez des équipements de protection agréés, tels que les masques de protection contre la poussière qui sont conçus spécialement pour filtrer les particules microscopiques.

4. Symboles sur l'outil

V volts
 === courant continu
 n₀ vitesse à vide
/min révolutions par minute
 rpm révolutions par minute

5. Figures

Les figures se trouvent au début de la notice d'utilisation.

Signification des symboles :

- Sens de déplacement
- Perceuse
- Lent
- Rapide

- Première vitesse
- Seconde vitesse
- Visser / limitation du couple de rotation
- Percer / couple de rotation max.
- Perçage avec percussion
- Nm Couple de rotation

6. Vue d'ensemble

➔ Fig. A

- Mandrin autoserrant
- Douille de réglage (limitation du couple de rotation)
- Douille de réglage
 - Visser / limitation du couple de rotation
 - Percer / couple de rotation max.
 - Perçage avec percussion
- Interrupteur (1ère/2ème vitesse)
- Inverseur de sens de rotation (réglage du sens de rotation, sécurité de transport), sur les deux côtés de la machine
- Porte-embouts *
- Crochet de sangle *
- Touche de déverrouillage de la batterie
- Touche de l'indicateur de capacité
- Indicateur de capacité et de signalisation
- Batterie
- Voyant LED
- Gâchette

* en fonction de l'équipement

7. Utilisation

7.1 Batterie, indicateur de capacité et de signalisation ➔ Fig. B

Charger la batterie avant l'utilisation.

En cas de baisse de puissance, recharger la batterie.

La température de stockage optimale se situe entre 10 °C et 30 °C.

7.2 Retrait et mise en place de la batterie ➔ Fig. C

7.3 Réglage du sens de rotation, de la sécurité de transport (protection contre tout enclenchement intempestif) ➔ Fig. D


7.4 Sélection de la vitesse ➔ Fig. E

N'actionner l'interrupteur (4) que lorsque le moteur est arrêté !


7.5 Réglage de la limitation du couple de rotation, du vissage, du perçage et du perçage à percussion ➔ Fig. F

= régler le vissage en tournant la douille (3)

ET régler le **couple de rotation** (avec limitation du couple de rotation) en tournant la douille (2) - des positions intermédiaires sont également possibles.

 = **régler le perçage / le couple de rotation max.** en tournant la douille (3) (couple de rotation max., sans limitation du couple de rotation)
Afin d'éviter une surcharge du moteur, ne pas bloquer la broche.

Machines avec la désignation en SB... :

 = **régler le perçage à percussion** en tournant la douille (3) (couple de rotation max., sans limitation du couple de rotation)
Afin d'éviter une surcharge du moteur, ne pas bloquer la broche.

7.6 Marche/arrêt, réglage de la vitesse de rotation ➔ Fig. A

Mise en marche, vitesse de rotation : appuyer sur la gâchette (13). La vitesse peut être modifiée par une pression sur la gâchette.

Arrêt : relâcher la gâchette (13). **Remarque :** le bruit audible à l'arrêt de la machine est dû au type de construction (arrêt rapide) et n'a aucune influence sur le fonctionnement et la durée de vie de la machine.

7.7 Mandrin à serrage rapide ➔ Fig. G

Ouvrir le mandrin :

tourner la douille du mandrin (1) dans le sens des aiguilles d'une montre.

Serrer l'outil :

ouvrir le mandrin et insérer l'outil aussi profondément que possible. Tourner la douille du mandrin (1) dans le sens des aiguilles d'une montre jusqu'à ce que l'outil soit correctement fixé. En cas de queue d'outil souple, il faudra éventuellement resserrer après avoir effectué de courts travaux de perçage.

Nettoyage : tenir occasionnellement l'outil avec le mandrin autoserrant en position verticale vers le bas et tourner complètement la douille dans le sens marqué "GRIP, ZU", puis tourner complètement dans le sens marqué « AUF, RELEASE ». La poussière accumulée tombe du mandrin autoserrant.

7.8 Dévisser le mandrin de perçage

➔ Fig. H

Le vissage s'effectue dans l'ordre inverse.

7.9 Mandrin de perçage avec système à changement rapide Quick (pour BS 18 L Quick) ➔ Fig. I

Démontage : glisser la bague de verrouillage vers l'avant (a) et retirer le mandrin de perçage par l'avant (b).


Fixation : glisser la bague de verrouillage vers l'avant et glisser le mandrin sur la broche de perçage jusqu'à la butée.


7.10 Crochet de sangle (en fonction de l'équipement) / fixer le porte-embouts (en fonction de l'équipement) ➔ Fig. J

Fixer le crochet de sangle (7) comme illustré.
Fixer le porte-embouts (6) comme illustré.

8. Dépannage

8.1 Système de surveillance multi-fonctions de la machine

 Si la machine s'arrête toute seule, le système électronique active le mode autoprotection. Un signal d'avertissement retentit (bip continu). Il s'arrête après un délai de 30 secondes ou une fois la gâchette (13) relâchée.

 Malgré cette fonction de protection, certaines applications peuvent entraîner une surcharge susceptible d'endommager la machine.

Causes et solutions :

- Bloc batterie presque vide ➔ Fig. A, B** (Le système électronique protège le bloc batterie des dommages dus à la décharge totale).
Si un voyant LED (10) clignote, cela signifie que la batterie est presque vide. Le cas échéant, appuyer sur la touche (9) et vérifier l'état de charge à l'aide des voyants LED (10). Lorsque la batterie est presque vide, elle doit être rechargée !
- Une surcharge trop longue de la machine entraîne l'**arrêt automatique pour cause de surchauffe**.

Laisser la machine ou la batterie refroidir.

Remarque : si une chaleur excessive se dégage de la batterie, il est possible d'accélérer son refroidissement dans un chargeur « AIR COOLED ».

Remarque : la machine refroidit plus rapidement lorsqu'elle tourne à vide.

- Coupure de sécurité Metabo :** la machine s'est ARRÊTÉE automatiquement. Lorsque la vitesse de rotation baisse soudainement (comme c'est le cas par exemple lors d'un blocage soudain ou d'un rebond), la machine s'arrête. Arrêter la machine à l'aide de la gâchette (13). Ensuite, la redémarrer et reprendre le travail normalement. Éviter tout autre blocage.

9. Accessoires

Utiliser uniquement des accessoires originaux Metabo.

Utiliser uniquement des accessoires qui sont conformes aux exigences et aux données caractéristiques indiquées dans la présente notice d'utilisation.

Fixer l'embout de perçage d'angle ➔ Fig. K.

Gamme d'accessoires complète, voir www.metabo.com ou catalogue.

10. Réparations



Les travaux de réparation sur les outils électriques peuvent uniquement être effectués par un électricien !

Pour toute réparation sur un outil Metabo, contacter le représentant Metabo. Voir les adresses sur www.metabo.com.

Les listes des pièces détachées peuvent être téléchargées sur www.metabo.com.

11. Protection de l'environnement

Suivez les réglementations nationales concernant l'élimination écologique et le recyclage des machines, des emballages et des accessoires.

Les batteries ne doivent pas être jetées avec les ordures ménagères ! Ramenez les batteries défectueuses ou usagées à un revendeur Metabo !

Ne jetez pas les batteries dans l'eau.

Avant d'éliminer l'outil électrique, déchargez sa batterie. Protégez les contacts de tout court-circuit (par exemple isolez-les à l'aide de ruban adhésif).

12. Caractéristiques techniques

➔ *Fig. L.* Sous réserve de modifications dans le sens du progrès technique.

U = tension de la batterie

n_0 = vitesse à vide

Couple de serrage lors du vissage :

M_1 = vissage dans un matériau tendre (bois)

M_3 = vissage dans un matériau dur (métal)

M_4 = couple réglable

Diamètre max. du foret :

D_1 max. = dans l'acier

D_2 max. = dans du bois tendre

D_3 max. = dans la maçonnerie

s = cadence de frappe max.

m = poids (avec la plus petite batterie)

G = filet de la broche

D_{max} = capacité du mandrin de perçage

Les caractéristiques techniques indiquées sont soumises à tolérance (selon les normes en vigueur correspondantes).



Valeurs d'émission

Ces valeurs permettent l'estimation des émissions de l'outil électrique et la comparaison entre différents outils électriques. Selon les conditions d'utilisation, l'état de l'outil électrique ou les accessoires utilisés, la sollicitation réelle peut plus ou moins varier. Pour l'estimation, tenir compte des pauses de travail et des phases de sollicitation moindres. Définir des mesures de protection pour l'utilisateur sur la base des valeurs estimatives adaptées en conséquence, p. ex. mesures organisationnelles.

Valeur totale de vibration (somme vectorielle de trois directions) calculée selon EN 60745 :

$a_{h, ID}$ = valeur d'émission vibratoire (Perçage avec percussion du béton)

$a_{h, D}$ = valeur d'émission vibratoire (perçage du métal)

$a_{h, S}$ = valeur d'émission de vibrations (vissage sans percussion)

$K_{h, ...}$ = incertitude (vibration)

Niveaux sonores types A évalués :

L_{pA} = niveau de pression acoustique

L_{WA} = niveau de puissance acoustique

K_{pA}, K_{WA} = incertitude (niveau sonore)

Pendant le fonctionnement, il se peut que le niveau sonore dépasse les 80 db(A).



Porter des protège-oreilles !

Instrucciones de manejo

1. Uso conforme a su finalidad

Los taladros atornilladores y los taladros percutores a batería son apropiados para taladrar metal, madera, plástico y materiales similares, así como para atornillar y roscar.

Adicionalmente, los taladros percutores a batería son adecuados para perforar mampostería, ladrillo y piedras.

Los posibles daños derivados de un uso inadecuado son responsabilidad exclusiva del usuario.

Se deberán respetar las normas sobre prevención de accidentes generalmente aceptadas y las indicaciones de seguridad aquí incluidas.

2. Indicaciones generales de seguridad



Para su propia protección y la de su herramienta eléctrica, observe las partes marcadas con este símbolo.



ADVERTENCIA: Lea el manual de instrucciones para reducir el riesgo de accidentes.

Si entrega su herramienta eléctrica a otra persona, es imprescindible acompañarla de este documento.

Instrucciones generales de seguridad para herramientas eléctricas



¡ATENCIÓN! Lea íntegramente estas instrucciones de seguridad. La no observación de las instrucciones de seguridad siguientes puede dar lugar a descargas eléctricas, incendios y/o lesiones graves.

¡Guarde estas instrucciones en un lugar seguro! El término "herramienta eléctrica" empleado en las siguientes instrucciones se refiere a su aparato eléctrico portátil, ya sea con cable de red, o sin cable, en caso de ser accionado por acumulador.

2.1 Puesto de trabajo

a) **Mantenga limpio y bien iluminado su puesto de trabajo.** El desorden y una iluminación deficiente en las áreas de trabajo pueden provocar accidentes.

b) **No utilice la herramienta eléctrica en un entorno con peligro de explosión, en el que se encuentren combustibles líquidos, gases o material en polvo.** Las herramientas eléctricas producen chispas que pueden llegar a inflamar los materiales en polvo o vapores.

c) **Mantenga alejados a los niños y otras personas de su puesto de trabajo al emplear la herramienta eléctrica.** Una distracción le puede hacer perder el control sobre el aparato.

2.2 Seguridad eléctrica

a) **El enchufe de la herramienta eléctrica debe corresponder a la toma de corriente utilizada. No es admisible modificar el enchufe en forma alguna. No emplee adaptadores con herramientas eléctricas dotadas de una toma de tierra.** Los enchufes sin modificar adecuados a las respectivas tomas de corriente reducen el riesgo de una descarga eléctrica.

b) **Evite que su cuerpo toque partes conectadas a tierra como tuberías, radiadores, cocinas y refrigeradores.** El riesgo a quedar expuesto a una sacudida eléctrica es mayor si su cuerpo tiene contacto con tierra.

c) **No exponga las herramientas eléctricas a la lluvia y evite que penetren líquidos en su interior.** Existe el peligro de recibir una descarga eléctrica si penetran ciertos líquidos en la herramienta eléctrica.

d) **No utilice el cable de red para transportar o colgar la herramienta eléctrica, ni tire de él para sacar el enchufe de la toma de corriente. Mantenga el cable de red alejado del calor, aceite, esquinas cortantes o piezas móviles.** Los cables de red dañados o enredados pueden provocar una descarga eléctrica.

e) **Al trabajar con la herramienta eléctrica a la intemperie utilice solamente cables de prolongación homologados para su uso en exteriores.** La utilización de un cable de prolongación adecuado para su uso en exteriores reduce el riesgo de una descarga eléctrica.

f) **Si fuera necesario utilizar la herramienta eléctrica en un entorno húmedo, utilice un interruptor de protección diferencial.** La utilización de un cable de prolongación adecuado para su uso en exteriores reduce el riesgo de una descarga eléctrica.

2.3 Seguridad de personas

a) **Esté atento a lo que hace y emplee la herramienta eléctrica con prudencia. No utilice la herramienta eléctrica si estuviese cansado, ni tampoco después de haber consumido alcohol, drogas o medicamentos.** El no estar atento durante el uso de una herramienta eléctrica puede provocarle serias lesiones.

b) **Utilice un equipo de protección y en todo caso unas gafas de protección.** El riesgo de lesionarse se reduce considerablemente si, dependiendo del tipo y la aplicación de la herramienta eléctrica empleada, se utiliza un equipo de protección adecuado como una mascarilla antipolvo, zapatos de seguridad con suela antideslizante, casco, o protectores auditivos.

c) **Evite una puesta en marcha fortuita del aparato. Asegúrese de que la herramienta eléctrica está apagada antes de conectarla a la toma de corriente y/o la batería, de desconectarla o de transportarla. Si transporta**

la herramienta eléctrica sujetándola por el interruptor de conexión/desconexión, o si introduce el enchufe en la toma de corriente con el aparato conectado, puede dar lugar a un accidente.

d) **Retire las herramientas de ajuste o llaves fijas antes de conectar la herramienta eléctrica.** Una herramienta o llave colocada en una pieza rotante puede producir lesiones al ponerse a funcionar.

e) **Evite trabajar con posturas forzadas. Trabaje sobre una base firme y mantenga el equilibrio en todo momento.** Ello le permitirá controlar mejor la herramienta eléctrica en caso de presentarse una situación inesperada.

f) **Lleve puesta una vestimenta de trabajo adecuada. No utilice vestimenta amplia ni joyas.** Mantenga su pelo, vestimenta y guantes alejados de las piezas móviles. La vestimenta suelta, las joyas y el pelo largo se pueden enganchar con las piezas en movimiento.

g) **Siempre que sea posible utilizar equipos de aspiración o captación de polvo, asegúrese que éstos estén montados y que sean utilizados correctamente.** La utilización de un equipo de aspiración de polvo puede reducir los riesgos de aspirar polvo nocivo para la salud.

2.4 Trato y uso cuidadoso de herramientas eléctricas

a) **No sobrecargue el aparato. Use la herramienta prevista para el trabajo a realizar.** Con la herramienta adecuada podrá trabajar mejor y más seguro dentro del margen de potencia indicado.

b) **No utilice herramientas con un interruptor defectuoso.** Las herramientas que no se puedan conectar o desconectar son peligrosas y deben hacerse reparar.

c) **Saque el enchufe de la red y/o retire la batería antes de realizar un ajuste en la herramienta, cambiar de accesorio o guardar el aparato.** Esta medida preventiva reduce el riesgo de conectar accidentalmente el aparato.

d) **Guarde las herramientas eléctricas fuera del alcance de los niños. No permita que las utilicen personas que no estén familiarizadas con ellas o que no hayan leído estas instrucciones.** Las herramientas utilizadas por personas inexpertas son peligrosas.

e) **Cuide sus herramientas eléctricas con esmero. Controle si funcionan correctamente, sin atascarse, las partes móviles de la herramienta y si existen partes rotas o deterioradas que pudieran afectar a su funcionamiento. Si la herramienta eléctrica estuviese defectuosa, hágala reparar antes de volver a utilizarla.** Muchos de los accidentes se deben a aparatos con un mantenimiento deficiente.

f) **Mantenga los útiles limpios y afilados.** Los útiles mantenidos correctamente se dejan guiar y controlar mejor.

g) **Utilice las herramientas eléctricas, los accesorios, las herramientas de inserción, etc. de acuerdo con estas instrucciones. Considere**

en ello las condiciones de trabajo y la tarea a realizar. El uso de herramientas eléctricas para trabajos diferentes de aquellos para los que han sido concebidas puede resultar peligroso.

2.5 Trato y uso cuidadoso de herramientas con batería

a) **Solamente cargue los acumuladores con los cargadores recomendados por el fabricante.** Existe riesgo de incendio al intentar cargar acumuladores de un tipo diferente al previsto para el cargador.

b) **Solamente emplee los acumuladores previstos para la herramienta eléctrica.** El uso de otro tipo de acumuladores puede provocar daños e incluso un incendio.

c) **Si no utiliza el acumulador, guárdelo separado de clips, monedas, llaves, clavos, tornillos o demás objetos metálicos que pudieran puentear sus contactos.** El cortocircuito de los contactos del acumulador puede causar quemaduras o un incendio.

d) **La utilización inadecuada del acumulador puede provocar fugas de líquido. Evite el contacto con él. En caso de un contacto accidental enjuagar el área afectada con abundante agua. En caso de un contacto con los ojos recurra además inmediatamente a un médico.** El líquido del acumulador puede irritar la piel o producir quemaduras.

2.6 Servicio

a) **Únicamente haga reparar su herramienta eléctrica por un profesional, empleando exclusivamente piezas de repuesto originales.** Solamente así se mantiene la seguridad de la herramienta eléctrica.


3. Indicaciones especiales de seguridad

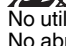
Use siempre protección auricular cuando utilice taladros con percusión (máquinas con el símbolo SB...). El efecto del ruido puede provocar pérdida auditiva.

Sujete la herramienta por las superficies de la empuñadura aisladas cuando realice trabajos en los que la herramienta de inserción pudiera entrar en contacto con cables eléctricos ocultos. El contacto con un cable conductor de corriente puede electrizar también las partes metálicas de la herramienta y causar una descarga eléctrica.

Asegúrese de que en el lugar de trabajo no existan cables, tuberías de agua o gas (por ejemplo, con ayuda de un detector de metales).

 Proteja la batería contra la humedad.

 No ponga la batería en contacto con el fuego.

 No utilice baterías defectuosas o deformadas. No abra la batería.

No toque ni ponga en cortocircuito los contactos de la batería.



¡De las baterías de litio defectuosas puede llegar a salir un líquido ligeramente ácido e inflamable!



En caso de que salga líquido de la batería y entre en contacto con la piel, lávese inmediatamente con abundante agua. En caso de que el líquido entrara en contacto con los ojos, lávelos con agua limpia y acuda inmediatamente a un centro médico.

Extraiga la batería de la máquina antes de llevar a cabo cualquier ajuste, reequipamiento, trabajo de mantenimiento o limpieza.

Asegúrese de que la herramienta esté desconectada al insertar la batería.

¡No tocar la herramienta en rotación!

La máquina debe estar siempre detenida para eliminar virutas y otros residuos similares.

Fije la pieza de trabajo para que no pueda deslizarse ni girarse (p.ej. utilizando fijación tornillos de apriete).

Lámpara LED (12): no mire directamente los rayos de luz de la lámpara Led sin utilizar instrumentos ópticos.

Advertencias adicionales:

⚠ ADVERTENCIA Algunos polvos generados por el lijado, aserrado, amolado o taladrado con herramientas eléctricas y otras actividades de construcción contienen sustancias químicas que se sabe que causan cáncer, defectos de nacimiento y otros daños sobre la reproducción. Algunos ejemplos de estas sustancias químicas son:

- Plomo procedente de pinturas a base de plomo,
- Sílice cristalina procedente de ladrillos y cemento, así como de otros productos de mampostería, y
- Arsénico y cromo procedentes de madera de construcción tratada químicamente.

El riesgo para usted por estas exposiciones varía, dependiendo de qué tan a menudo haga este tipo de trabajo. Para reducir su exposición a estas sustancias químicas: trabaje en un área bien ventilada y trabaje con equipo de seguridad aprobado, como por ejemplo las máscaras antipolvo que están diseñadas especialmente para impedir mediante filtración el paso de partículas microscópicas.

4. Símbolos sobre la herramienta

V voltios

— — corriente continua

n_0 velocidad sin carga

.. /min ... revoluciones por minuto

rpm revoluciones por minuto

5. Figuras

Las figuras se encuentran al principio del manual de instrucciones.

Explicación de los símbolos:

	Sentido del movimiento
	Taladrado
	Lento
	Rápido
	Primera velocidad
	Segunda velocidad
	Atornillado / límite de par
	Taladrado / par de giro máximo
	Taladrado con percusión
Nm	Par de giro

6. Descripción general

→ Fig. A

- 1 Portabrocas de sujeción rápida
- 2 Casquillo de ajuste (Límite de par)
- 3 Casquillo de ajuste - Atornillar / límite de par Taladrado / par de giro máximo Taladrado con percusión
- 4 Interruptor (1ª/2ª velocidad)
- 5 Selector de sentido de giro (ajuste de giro, seguro de transporte), a ambos lados de la herramienta
- 6 Depósito de bit *
- 7 Gancho de cinturón *
- 8 Botón de desbloqueo de la batería
- 9 Tecla del indicador de capacidad
- 10 Indicador de capacidad y de señal
- 11 Batería
- 12 Lámpara LED
- 13 Interruptor

*según la versión

7. Manejo

7.1 Batería, indicador de capacidad y de señal → Fig. B

Cargue la batería antes de utilizar la herramienta.

Si detecta una disminución de potencia, vuelva a cargar la batería.

La temperatura óptima de almacenaje es entre 10°C y 30°C.


7.2 Inserción y extracción de la batería

➔ Fig. C

7.3 Ajuste del sentido de giro y del seguro de transporte (bloqueo de conexión)

➔ Fig. D

7.4 Selección de la velocidad ➔ Fig. E


 Accione el interruptor (4) únicamente con el motor parado.

7.5 Ajuste del par máximo, atornillado, taladrado y taladrado con percusión


➔ Fig. F

 = Ajustar el **atornillado** girando el casquillo (3)

Y el **par** (con límite de par) girando el casquillo (2) - permite ajustes intermedios.

 = **Ajustar el taladrado / par máximo** girando el casquillo (3) (par máximo, sin límite de par).
Para evitar sobrecargar el motor, no bloquee el husillo.

Herramientas con la denominación SB...:

 = Ajustar el **taladrado con percusión** girando el casquillo (3) (par máximo, sin límite de par)
Para evitar sobrecargar el motor, no bloquee el husillo.

7.6 Conexión/desconexión, ajustar el número de revoluciones ➔ Fig. A

Conexión, número de revoluciones: pulsar el interruptor (13). El número de revoluciones puede modificarse presionando el interruptor.

Desconexión: suelte el interruptor (13). **Aviso:** el ruido que se produce al desconectar la herramienta depende del modelo (parada instantánea) y no afecta al funcionamiento ni a la vida útil de la herramienta.

7.7 Portabrocas de sujeción rápida

➔ Fig. G

Abrir el portabrocas:

Girar el manguito del portabrocas (1) en sentido horario.

Tensar la herramienta de inserción:

Abrir el portabrocas e introducir la herramienta hasta el tope. Girar el manguito del portabrocas (1) en sentido antihorario hasta que la herramienta esté asegurada. Con un vástago blando de la herramienta debe tensarse si fuera necesario tras un periodo de perforación.

Limpeza: de vez en cuando sujetar la herramienta con el portabrocas de sujeción rápida en sentido vertical hacia abajo y girar el casquillo en dirección "GRIP, ZU"; luego girar completamente en dirección "AUF, RELEASE".

De esta manera, el polvo acumulado saldrá del portabrocas de sujeción rápida.

7.8 Retirada del portabrocas ➔ Fig. H

Para atornillar, seguir los pasos descritos en el sentido inverso.

7.9 Portabrocas con el sistema de cambio rápido Quick (en BS 18 L Quick)

➔ Fig. I

Desmontaje: empuje el anillo de bloqueo hacia adelante (a) y retire el portabrocas hacia adelante (b).

Montaje: empuje el anillo de bloqueo hacia adelante y coloque el portabrocas hasta el tope en el husillo para la broca.


7.10 Gancho de cinturón (depende de la versión) / colocación del depósito de bit (depende de la versión) ➔ Fig. J


Montar el gancho de cinturón (7) tal y como se muestra.

Colocar el depósito de bit (6) tal como se ha mostrado.

8. Localización de averías

8.1 Sistema de control multifuncional de la máquina

 Si la herramienta se apaga por sí sola, es porque el sistema electrónico ha activado el modo de autoprotección. Suena una señal de aviso (pitido largo). El sonido se apagará en un máximo de 30 segundos o cuando se suelte el interruptor (13).

 A pesar de esta función de protección, puede ocurrir que con ciertas aplicaciones se produzcan sobrecargas, y en consecuencia, provoquen daños en la herramienta.

Problemas y soluciones:

1. **Batería casi vacía ➔ Fig. A, B** (El sistema electrónico protege la batería contra daños por descarga total).
Cuando la batería está casi vacía, parpadea una lámpara LED (10). En caso necesario, pulsar el botón (9) y comprobar el nivel de carga con la lámpara LED (10). Si la batería está casi vacía, volver a cargarla.
2. La sobrecarga de la herramienta durante un periodo prolongado provoca la **desconexión por sobrettemperatura**.
Dejar enfriar la herramienta o la batería.
Aviso: si la batería está muy caliente, es posible enfriarla con mayor rapidez utilizando un cargador "AIR COOLED".
Aviso: la herramienta se enfría más rápidamente si se deja funcionar en ralentí.
3. **Desconexión de seguridad** Metabo: la máquina se ha APAGADO automáticamente. Cuando la velocidad decrece repentinamente (como sucede en el caso de un bloqueo repentino o de un contragolpe), la máquina se

desconecta. Desconecte la herramienta con el interruptor (13). Vuelva a conectarla y siga trabajando normalmente. Evite que vuelva a bloquearse.

9. Accesorios


Utilice únicamente accesorios Metabo originales.

Utilice únicamente accesorios que cumplan los requerimientos y los datos indicados en este manual de instrucciones.

Montaje del adaptador angular ➔ *Fig. K.*

Para consultar el programa completo de accesorios, véase www.metabo.com o nuestro catálogo.

10. Reparación

 Las reparaciones de herramientas eléctricas solamente deben ser efectuadas por electricistas especializados.

Si tiene necesidad de reparar alguna herramienta eléctrica, diríjase por favor a su distribuidor de Metabo. En la página www.metabo.com encontrará las direcciones correspondientes.

En la página www.metabo.com puede usted descargarse las listas de repuestos.

11. Protección medioambiental

Cumpla lo estipulado por las normativas nacionales relativas a la gestión ecológica de los residuos y al reciclaje de herramientas, embalaje y accesorios usados.

Las baterías no deben desecharse junto con la basura doméstica. Devuelva las baterías defectuosas o gastadas a su distribuidor Metabo

No sumerja la batería en agua.

Antes de eliminar la máquina, descargue la batería que se encuentra en la herramienta eléctrica.

Asegurar los contactos contra un cortocircuito (p. ej. con cinta adhesiva).

12. Datos técnicos

➔ *Fig. L.* Nos reservamos el derecho a efectuar modificaciones en función de las innovaciones tecnológicas.

U = Tensión de la batería
n₀ = Número de revoluciones en ralentí

Par de apriete al atornillar:

M₁ = atornillado blando (madera)
M₃ = atornillado duro (metal)
M₄ = par de apriete ajustable

Diámetro máximo de broca:

D_{1 máx} = en acero
D_{2 máx} = en madera blanda
D_{3 máx} = en mampostería

s = Número máximo de percusiones
m = Peso (con la batería más pequeña)
G = Rosca del husillo

D_{máx} = Anchura del portabrocas

Las especificaciones técnicas aquí indicadas están sujetas a rangos de tolerancia (conforme a las normas vigentes).

Valores de emisión

Estos valores permiten evaluar las emisiones de la herramienta eléctrica y compararlas con las de otras herramientas eléctricas. Dependiendo de las condiciones de uso, del estado de la herramienta eléctrica o de las herramientas que se utilicen, la carga real puede ser mayor o menor. Para realizar la valoración tenga en cuenta las pausas de trabajo y las fases de trabajo a carga reducida. Determine, a partir de los valores estimados, las medidas de seguridad para el operador, p. ej. medidas organizativas.

Valor total de vibraciones (suma vectorial de tres direcciones) determinado según EN 60745:

a_{h, ID} = Valor de emisión de vibraciones (Taladrado con percusión en hormigón)

a_{h, D} = Valor de emisión de vibraciones (Taladrado de metal)

a_{h, S} = Valor de emisión de vibraciones (atornillado sin impacto)

K_{h, ...} = Inseguridad (vibración)


Niveles acústicos típicos compensados A:

L_{PA} = Nivel de intensidad acústica

L_{WA} = Nivel de potencia acústica

K_{PA}, K_{WA} = Inseguridad (nivel acústico)

Al trabajar, el nivel de ruido puede superar los 80 dB(A).

 ¡Use auriculares protectores!

Metabowerke GmbH
Metabo-Allee 1
72622 Nuertingen
Germany
www.metabo.com

metabo[®]
PROFESSIONAL POWER TOOL SOLUTIONS